

**Temperature range:**

- -45°F to 225°F with nitrile seals
- -20°F to 250°F, fluorocarbon seals

**Hardware material:**

Polymer endcaps

**Filter medium:**

Inert micro-glass fibers impregnated and bonded with stable resin, supported upstream and downstream with polymer mesh.

**Collapse rating:**

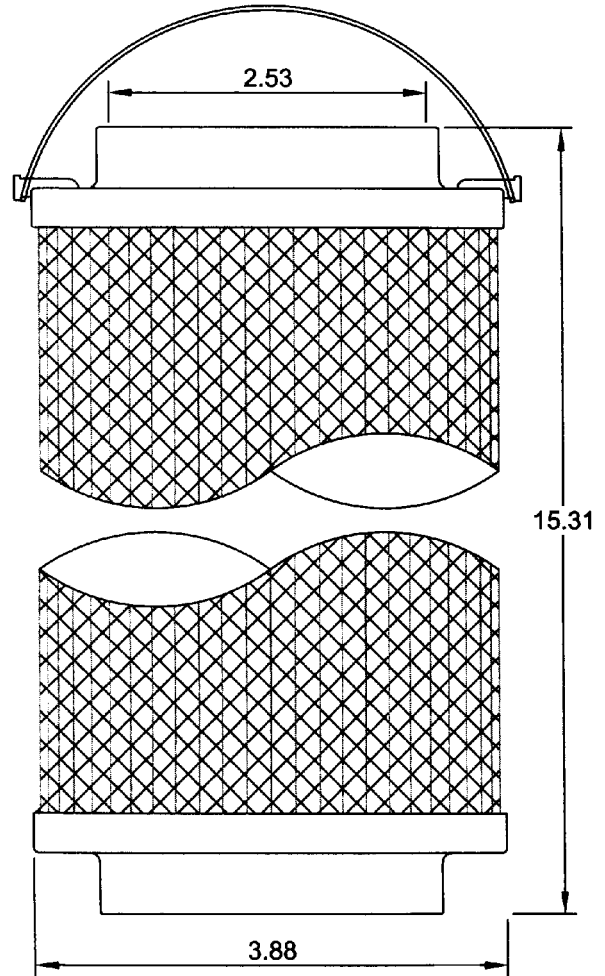
150 psid per ISO-2941

**Seals:**

"230" O-ring, SOE

**Removal Rating (ISO 4572):**

<b>Grade</b>	<b><math>\beta_{x&gt;200}</math></b>
1 $\mu$	1
3 $\mu$	3
6 $\mu$	6
12 $\mu$	12
25 $\mu$	25



**Removal Rating (ISO 16889):**

<b>Grade</b>	<b><math>\mu\text{m}(c)</math> Rating for Beta Value</b>					
	<b>2</b>	<b>10</b>	<b>75</b>	<b>100</b>	<b>200</b>	<b>1000</b>
1 $\mu$	<2	<2	<2	<2	2.0	2.5
3 $\mu$	<2	<2	3.1	3.3	3.8	5
6 $\mu$	2.1	3.4	5.0	5.2	5.7	7
12 $\mu$	3.2	5.5	8.3	8.7	9.7	12
25 $\mu$	7.2	11.0	15.8	16.5	18.2	22

