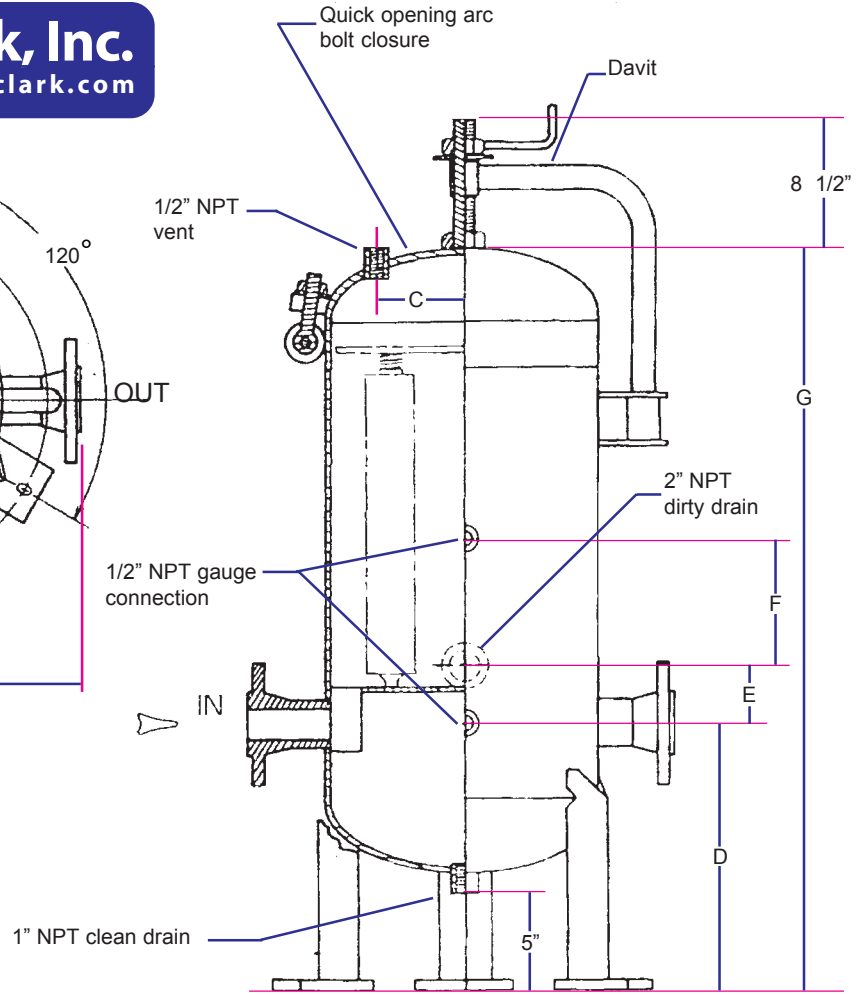
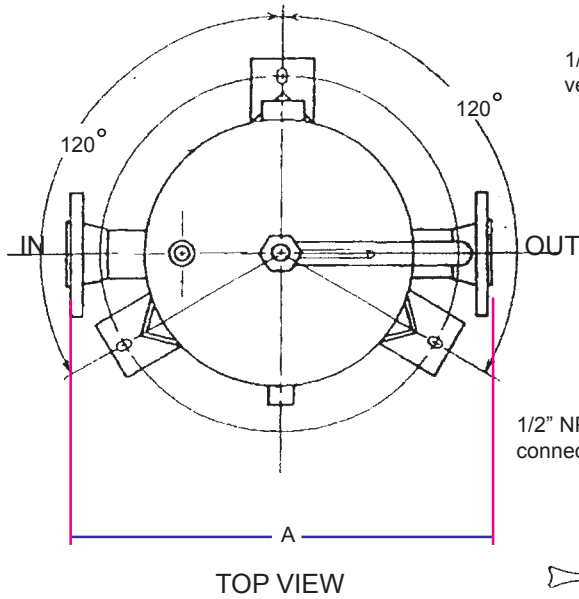


Gardner & Clark, Inc.

<http://www.gardner-and-clark.com>



Model Number	In & Out Size	No. of 10" Ctdg.	Shell O.D.	A	B	C	D	E	F	G	Est. Wt.
6-2-6 PSE	2	6	6-5/8	18-5/8	12-1/6	2	14-7/16	2-7/8	10	53-3/16	181
8-5-15 PSE	2	15	8-5/8	20-5/8	14-1/8	2	14-15/16	2-7/8	10	54-3/16	254
10-7-21 PSE	2	21	10-3/4	22-3/4	16-1/4	2	15-15/16	2-7/8	10	55-11/16	355
12-11-33 PSE	3	33	12-3/4	24-3/4	18-1/4	3	17-15-16	3-7/16	10	58-1/8	440
14-14-42 PSE	3	42	14	26	20	3	17-5/8	3-7/16	10	58-3/4	480
16-18-54 PSE	3	54	16	28	22	4	18-1/8	3-7/16	10	59-3/4	615
18-24-72 PSE	3	72	18	30	24	5	18-5/8	3-7/16	10	60-3/4	704
20-30-90 PSE	4	90	20	32	26	5	20	3-15/16	10	63-1/8	796
24-50-150 PSE	4	150	24	36	30	5	21	4-1/16	10	65-1/4	1012
30-70-210 PSE	6	210	30	42	37-1/2	5	23-3/4	5-1/8	10	70-9/16	1533